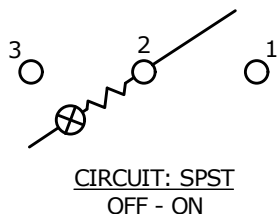


PANEL CUT-OUT

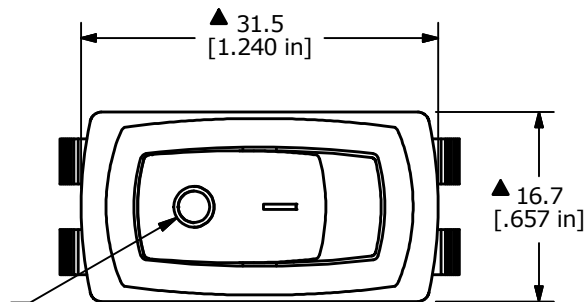
SWITCH FUNCTION	
POS. 1	POS. 2
OFF	ON
NONE	1-2



▲ GRAPHIC COLOR:  
WHITE

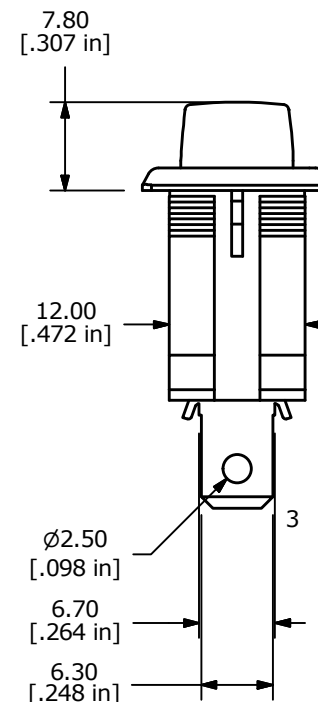
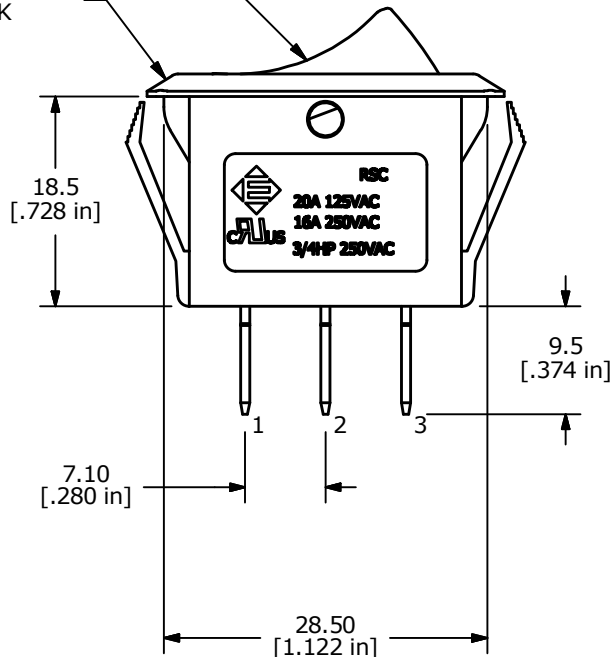
▲ ACTUATOR COLOR:  
ILLUMINATED GREEN

▲ HOUSING COLOR:  
BLACK



NOTES:

1. ALL DIMENSIONS IN MM [INCH]
2. GENERAL TOLERANCE: X.X = ±0.4  
X.XX = ±0.25
3. TERM. NOS. FOR REF. ONLY
- ▲ 4. RATING: 20A 125VAC [cURus]  
16A 250VAC [cURus]  
1/3HP 125/250VAC [cURus]  
3/4HP 125/250VAC [cURus]  
16(4)A 250V~ 1E4 T85/55 [ENEC, VDE]  
20(8)A 250V~ 1E4 T125/55 [ENEC, VDE]  
10(2)A 250V~ 5E4 T85/55 [ENEC, VDE]
5. ELECTRICAL LIFE: 10,000 CYCLES MIN.
6. CONTACT RESISTANCE: 20 mΩ MAX.
7. OPERATING TEMP: -20°C TO 65°C [cURus]  
-20°C TO 105°C [cURus]  
0°C TO 85°C [ENEC, VDE]  
0°C TO 125°C [ENEC, VDE]
8. DIELECTRIC STRENGTH: >1,000V AC 1MIN
9. INSULATION RESISTANCE: 100 MΩ @ 500VDC
10. ▲ DENOTES CRITICAL PARAMETER.
11. 2011/65/EU (ROHS) COMPLIANT.



C	23173	UPDATED RATINGS	1/19/18	MJR
B	20286	CORRECT CIRCUIT AND NOTES	11/15/11	BMA
REV	PCR NO	DESCRIPTION	DATE	BY

TITLE RSC191D1021-137				
SCALE	DATE	DR	DWG	REV
3:2	4/14/2010	BLR	14-RSC191D1021137	C

THE INFORMATION CONTAINED IN THIS DOCUMENT IS PROPRIETARY TO E-SWITCH AND IS NOT TO BE COPIED OR TRANSFERRED